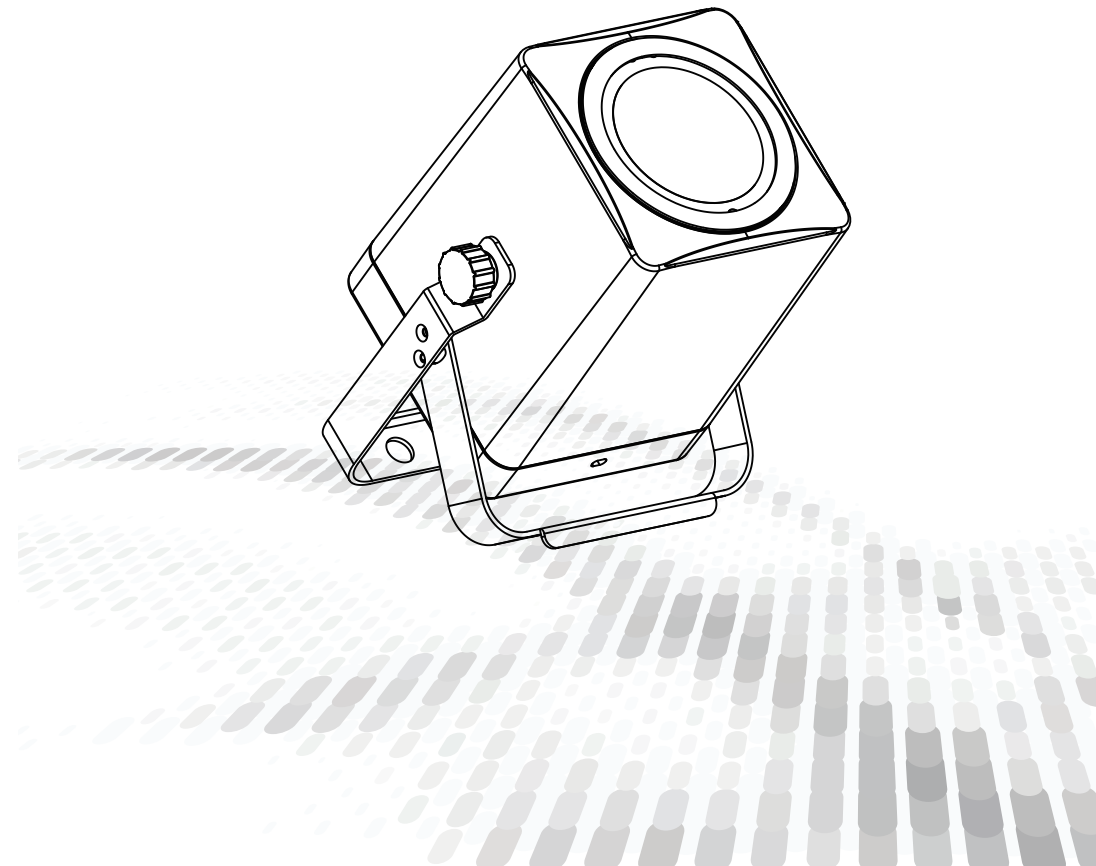


USER MANUAL

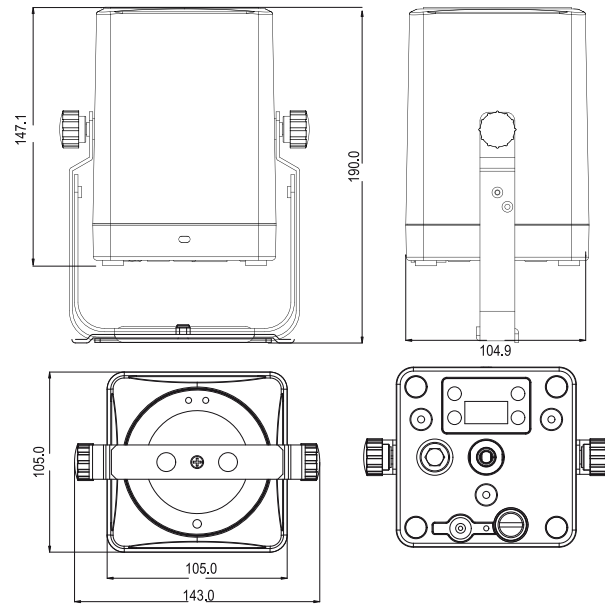


1 PRODUCT SPECIFICATIONS

1.1 TECHNICAL SPECIFICATIONS

LED MODULE	
VOLTAGE	18.5VDC
POWER	20W
IP RATING	IP 65
OPERATION TEMPERATURE	0°C~40°C
DIMENSIONS	143X105X190mm
	1Kg

1.2 SIZE CHART

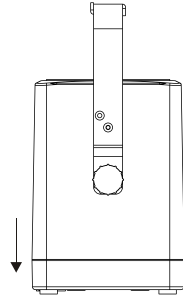
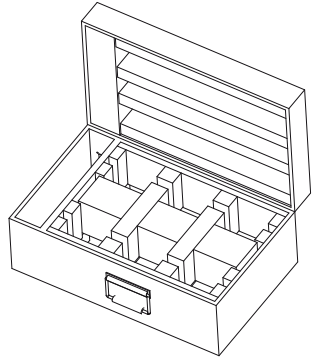


7 BATTERY CHARGING

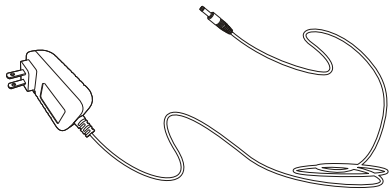
7.1 FLIGHTCASE SPECIFICATIONS

Voltage: AC100-240V, 50,60Hz
Rated Power: 150W
Weight:9.8KG
Dimensions: 572x350x240mm

7.2:FLIGHTCASE WITH CHARGER

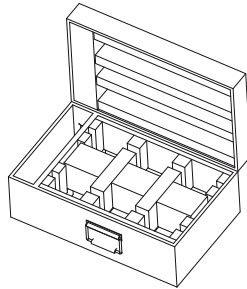


7.3 CHARGER SPECIFICATIONS



Voltage: AC100-240V, 50/60Hz
Output: DC24V, 1A
LED: ≤200mA

7.4: THE FLIGHTCASE MUST HAVE THE HOOD OPEN WHEN CHARGING.



7.5 IMPORTANT FACTS:

HOW TO CARE FOR YOUR BATTERY!

CHARGING

- DO NOT CHARGE FOR MORE THAN 24HRS
- RECHARGE WITHIN 3 DAYS OF USE
- CHARGE WITH FLIGHTCASE OPEN

STORING

- STORE WITH FULL LOAD
- TURN OFF AT BASE WHEN STORING FOR MORE THAN 7 DAYS
- STORE IN AN UPRIGHT POSITION

1.3 SAFETY WARNING

IMPORTANT

[ALWAYS READ THE USER MANUAL BEFORE OPERATION.]
[PLEASE CONFIRM THAT THE POWER SUPPLY STATED ON THE PRODUCT IS THE SAME AS THE MAINS POWER SUPPLY IN YOUR AREA.]

- This product must be installed by a qualified professional.
- Always operate the equipment as described in the user manual.
- A minimum distance of 0.5m must be maintained between the equipment and combustible surface.
- The product must always be placed in a well ventilated area.
- Always make sure that the equipment is installed securely.
- DO NOT stand close to the equipment and stare directly into the LED light source.
- Always disconnect the power supply before attempting maintenance.
- Always make sure that the supporting structure is solid and can support the combined weight of the products.
- The earth wire must always be connected to the ground.
- Do not touch the power cables if your hands are wet.

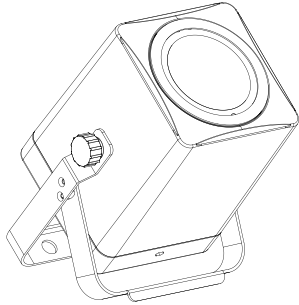
ATTENTION

- Do not operate in a sealed enclosure with insufficient air flow
- Do not operate in an environment with temperatures in excess of 45deg. C.
- Do not operate store in close proximity to source of fire.
- Always charge with supplied charger
- Do not charge for more than 24 hours
- Always turn off battery storage switch when storing for longer than 7 days
- Always store with full load
- Always charge with flightcase open
- Always carry out one full discharge and charge cycle every 3 months
- Always store in a dry environment away from direct sunlight

2 GETTING STARTED

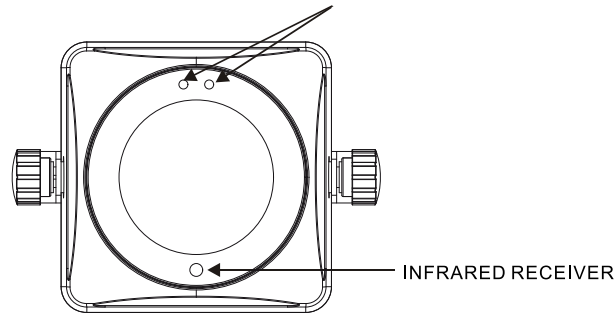
2.1 OPERATING POSITION

Upright operation



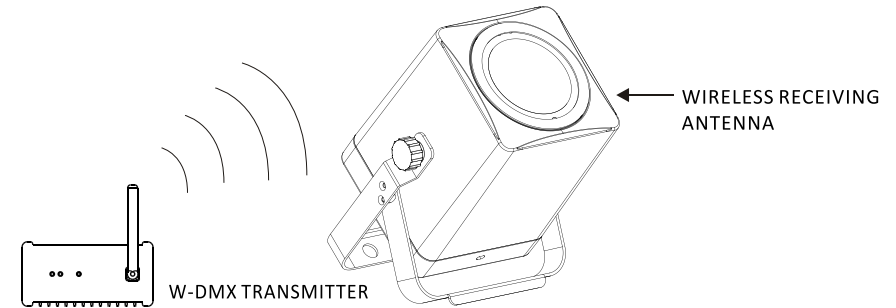
2.2 GENERAL OPERATION

FUNCTION OF LIGHT

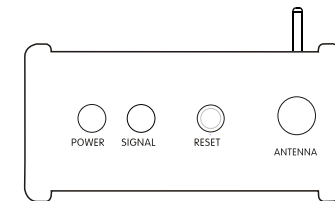


- 1、 When charging, power light is red, when finish charging, power light is green
- 2、 When turn on fixture, it' s static mode, red light is off.
- 3、 If no DMX signal when turn on fixture, green light is flickering
- 4、 If there is DMX signal when turn on fixture, green light is always on
- 5、 When it' s under infrared mode and there is infrared signal, red light is flickering

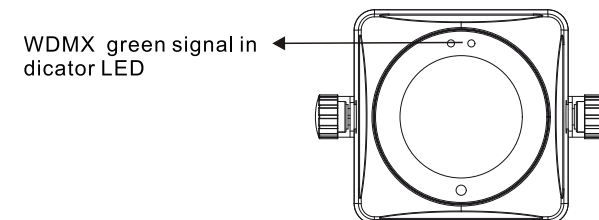
6 OPERATION WITH WIRELESS DMX



- 6.1 When using this lighting fixture with W-DMX receiver installed inside, the fixture may be placed at a range of 200m from W-DMX transmitter
- 6.2 Select DMX from the <RUN> menu.
- 6.3 Select ACTI from the <WDMX> menu and proceed to turn ON the WDMX. If the WDMX receiver card is already paired with a WDMX transmitter then the fixture is ready for receiving DMX signal. If the WDMX receiver card needs to be paired with a new WDMX transmitter, select YES from the <WDMX >/<REST> menu. The green signal indicator LED will not show which confirms that WDMX receiver card is unpaired and ready for new pairing..
- 6.4 By pressing the RESET button on W-DMX transmitter, transmitter will search for RESET lighting fixtures. During search transmitter green SIGNAL indicator will flash. After pairing with lighting fixture green SIGNAL indicator will display.

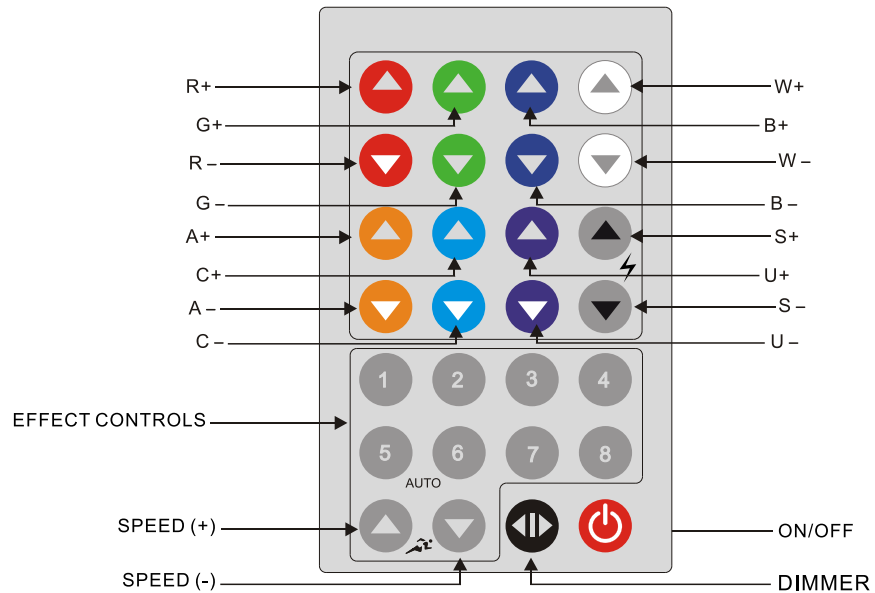


- 6.5 Once a lighting fixture has been paired with a W-DMX transmitter, the green SIGNAL indicator will display. Once a lighting fixture has been paired with a W-DMX transmitter, the lighting fixture cannot be paired with another W-DMX transmitter. If a lighting fixture requires pairing with a new W-DMX transmitter, steps 5.3 and 5.4 must be repeated.



5 EASYPLAY REMOTE CONTROL

5.1 KEY FUNCTIONS



5.2 STATIC MODE

- It can be static dimmer, choose static mode and enter into static dimmer
- As instruction, it includes R+, R-, G+, G-, B+, B-, W+, W-, A+, A-, C+, C-, U+, U-, S+, S-, and **【R+、R-】** is for red dimmer, **【G+、G-】** is for green dimmer, **【B+、B-】** is for blue dimmer, **【W+、W-】** is for white dimmer, **【A+、A-】** is for amber dimmer, **【C+、C-】** is for cyan dimmer, **【U+、U-】** is for UV dimmer, please refer to above **【RED】**、**【GREEN】**、**【BLUE】**、**【WHITE】**、**【AMBR】**、**【CYAN】** and **【UV】** to adjust

5.3 EFFECT CONTROLS

- Select from **【EFFECTKEY 01】** to **【EFFECTKEY 08】** to play required play function (see section 2.3.3 for further information on how to patch **【EFFECTKEY】**)
- Select **【SPEED (+)】** or **【SPEED (-)】** to adjust speed play function.
- It is not possible to adjust the light level of the EFFECT programs using the **【DIMMER】** keys.

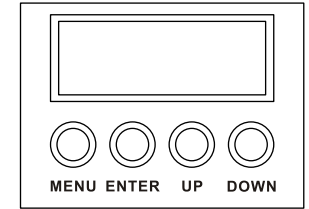
5.4 DIMMER

- There is a bottom for all color **【RGBWACU】** dimmer, lower right corner is a on/off bottom for fixture on/off operation.

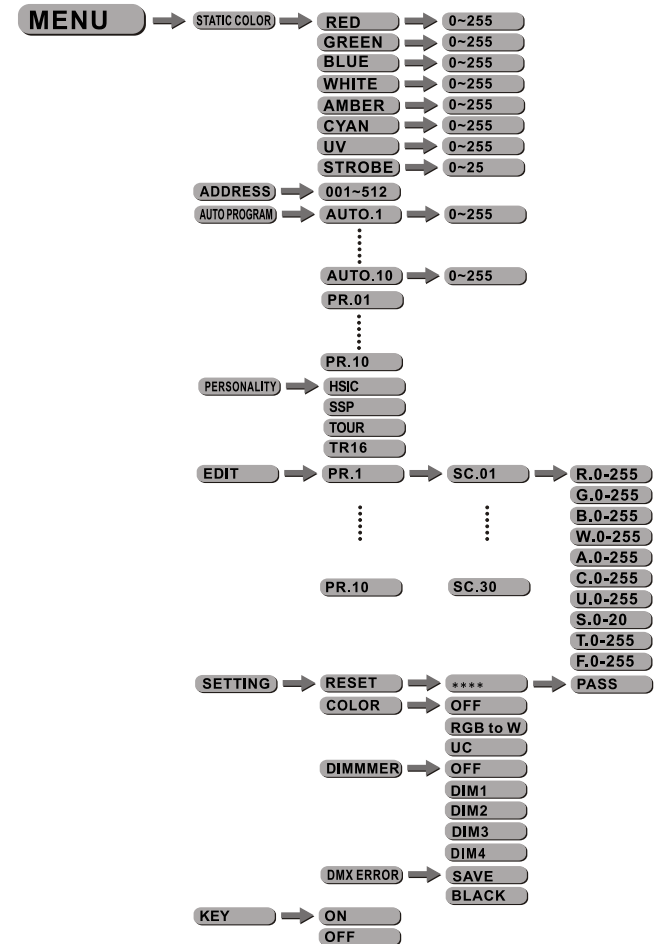
3 DISPLAY PANEL OPERATION

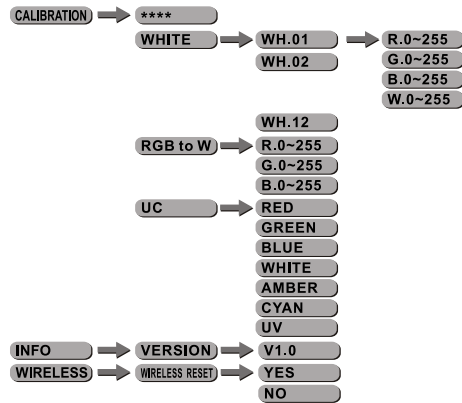
3.1 DISPLAY OPERATION

- ◆ MENU: BACK;
- ◆ ENTER: ENTER OR SAVE;
- ◆ DOWN: DOWN;
- ◆ UP: UP;

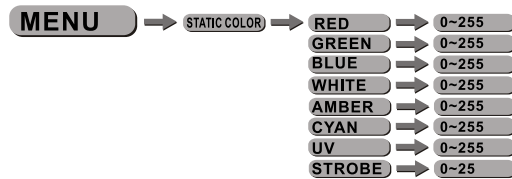


3.2 MENU MAP





3.3 EDIT STATIC COLOUR



- Combine **【RED】**, **【GREEN】**, **【BLUE】**, **【WHITE】**, **【AMBER】**, **【CYAN】** and **【UV】** to create an infinite range of colors (0-255)
- Set the value of the **【Strobe】** (0-20Hz)

3.4 DMX512 SETTINGS



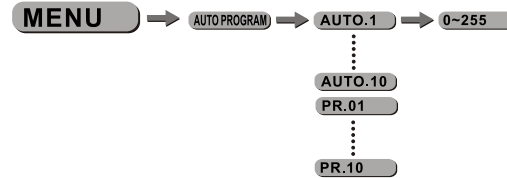
- Enter the **【 ADDRESS】** mode to set the DMX ADDRESS.

CHANNEL	VALUE	FUNCTION
17		SPECIAL STROBE
	0 ⇔ 9	NO FUNCTION
	10 ⇔ 50	STROBE FROM (SLOD TO FAST, 0-25Hz)
	51 ⇔ 100	NO FUNCTION
	101 ⇔ 150	LIGHTNING STROBE
	151 ⇔ 200	NO FUNCTION
18	201 ⇔ 255	RANDOM SROBE
		AUTO
	0 ⇔ 40	NO FUNCTION
	41 ⇔ 50	ATUO1
	51 ⇔ 60	ATUO2
	61 ⇔ 70	ATUO3
	71 ⇔ 80	ATUO4
	81 ⇔ 90	ATUO5
	91 ⇔ 100	ATUO6
	101 ⇔ 110	ATUO7
	111 ⇔ 120	ATUO8
	121 ⇔ 130	ATUO9
	131 ⇔ 140	ATUO10
	141 ⇔ 150	PROGRAM1
	151 ⇔ 160	PROGRAM2
	161 ⇔ 170	PROGRAM3
	171 ⇔ 180	PROGRAM4
	181 ⇔ 190	PROGRAM5
191 ⇔ 200	PROGRAM6	
201 ⇔ 210	PROGRAM7	
211 ⇔ 220	PROGRAM8	
221 ⇔ 230	PROGRAM9	
231 ⇔ 255	PROGRAM10	
19	0 ⇔ 255	AUTO SPEED ADJUSTMENT
20		DIMMER SPEED
	0 ⇔ 9	NO FUNCTION
	10 ⇔ 29	OFF
	30 ⇔ 69	DIM1
	70 ⇔ 129	DIM2
	130 ⇔ 189	DIM3
190 ⇔ 255	DIM4	

TOUR

CHANNEL	VALUE	FUNCTION
1	0 ↔ 255	MASTER DIMMER
2	0 ↔ 255	RED
3	0 ↔ 255	RED FINE
4	0 ↔ 255	GREEN
5	0 ↔ 255	GREEN FINE
6	0 ↔ 255	BLUE
7	0 ↔ 255	BLUE FINE
8	0 ↔ 255	WHITE
9	0 ↔ 255	WHITE FINE
10	0 ↔ 255	AMBER
11	0 ↔ 255	AMBER FINE
12	0 ↔ 255	CYAN
13	0 ↔ 255	CYAN FINE
14	0 ↔ 255	UV
15	0 ↔ 255	UV FINE
16		MARCOS
	0 ↔ 10	NO FUNCTION
	11 ↔ 30	RED 100% / GREEN UP / BLUE 0%
	31 ↔ 50	RED DOWN / GREEN 100% / BLUE 0%
	51 ↔ 70	RED 0% / GREEN 100% / BLUE UP
	71 ↔ 90	RED 0% / GREEN DOWN / BLUE 100%
	91 ↔ 110	RED UP / GREEN 0% / BLUE 100%
	111 ↔ 130	RED 100% / GREEN 0% / BLUE DOWN
	131 ↔ 150	RED 100% / GREEN UP / BLUE UP
	151 ↔ 170	RED DOWN / GREEN DOWN / BLUE 100%
	171 ↔ 195	ALL LED AT FULL OUTPUT
	196 ↔ 200	2700K
	201 ↔ 205	3000K
	206 ↔ 210	3200K
	211 ↔ 215	3500K
	216 ↔ 220	4000K
	221 ↔ 225	4200K
	226 ↔ 230	4500K
	231 ↔ 235	5600K
	236 ↔ 240	6000K
241 ↔ 245	6500K	
246 ↔ 250	7200K	
251 ↔ 255	8000K	

3.5 ACTIVATING AUTO PROGRAMS



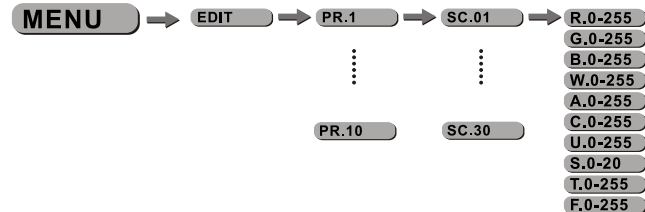
- Select the target **AUTO PROGRAM** program and press **ENTER**.
- Programs **AUTO.01** to **AUTO.10** are fully pre-programmed and will not be altered by changes in **EDIT** mode.
- Programs **PR.01** to **PR.10** are fully pre-programmed and can be edited in **EDIT** mode.

3.6 PERSONALITY



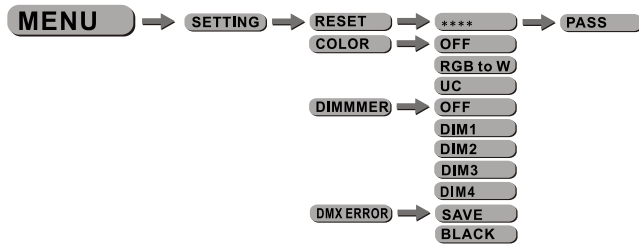
- Enter the **PERSONALITY** mode to select DMX mode: **HSIC** **SSP** **TOUR**, **TR16**.

3.7 EDITING CUSTOM PROGRAMS



- Enter the **EDIT** mode to edit the custom programs **PR.01** to **PR.10**.
- Each custom program has 30 steps that can be edited.
- Each step allows the creation of a scene using **RED**, **GREEN**, **BLUE**, **WHITE**, **AMBER**, **CYAN**, **UV**, **STRB**, **TIME** & **FADE**.

3.8 SPECIAL SETTINGS



- [SETTING]...this menu allows the user to adjust key operation settings for this fixture.
- In order to reset custom modes to default values select [RESET] .
- [COLOR] is for activate/unactivate the color calibration functions. When [RGBW] is selected, on RGB = 255,255,255, the color is displayed as calibrated in CALIB.C -- RGBW. When [COLOR] is set [OFF] , on RGB = 255,255,255, the RGB values are not adjusted and the output is most powerful. When [UC] is selected, the RGB output are adjusted to a standard preset universal color which balances fixtures from different generations.
- Select [DIM1], [DIM2], [DIM3] or [DIM4] for different dimming speeds. ([DIM4] is the slowest dimming speed)
- [DMX ERROR] Choose [SAVE] in order to save the last DMX data in case of DMX signal error. Choose [BLACK] in order to blackout in case of DMX signal error.

3.9 ACTIVATE THE PASSWORD



- Enter the [KEY] mode to select whether the access password is on or off.
- When the fixture is set as PASS [ON] , after 30 seconds or turn on the fixture next time, the fixture will need an access password to enter the display menu control.

Note: The factory access password is [UP] + [DOWN] + [UP] + [DOWN] , then press [ENTER] to confirm the access.

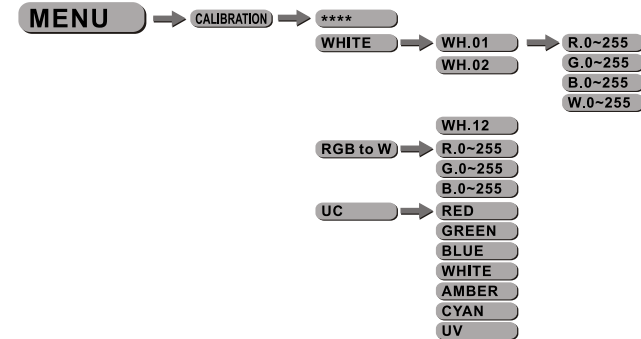
CHANNEL	VALUE	FUNCTION
11		AUTO
	0 ↔ 40	NO FUNCTION
	41 ↔ 50	ATUO1
	51 ↔ 60	ATUO2
	61 ↔ 70	ATUO3
	71 ↔ 80	ATUO4
	81 ↔ 90	ATUO5
	91 ↔ 100	ATUO6
	101 ↔ 110	ATUO7
	111 ↔ 120	ATUO8
	121 ↔ 130	ATUO9
	131 ↔ 140	ATUO10
	141 ↔ 150	PROGRAM1
	151 ↔ 160	PROGRAM2
	161 ↔ 170	PROGRAM3
	171 ↔ 180	PROGRAM4
	181 ↔ 190	PROGRAM5
191 ↔ 200	PROGRAM6	
201 ↔ 210	PROGRAM7	
211 ↔ 220	PROGRAM8	
221 ↔ 230	PROGRAM9	
231 ↔ 255	PROGRAM10	
12	0 ↔ 255	AUTO SPEED ADJUSTMENT
13		DIMMER SPEED
	0 ↔ 9	NO FUNCTION
	10 ↔ 29	OFF
	30 ↔ 69	DIM1
	70 ↔ 129	DIM2
	130 ↔ 189	DIM3
	190 ↔ 255	DIM4

TOUR

CHANNEL	VALUE	FUNCTION
1	0 ↔ 255	MASTER DIMMER
2	0 ↔ 255	RED
3	0 ↔ 255	GREEN
4	0 ↔ 255	BLUE
5	0 ↔ 255	WHITE
6	0 ↔ 255	AMBER
7	0 ↔ 255	CYAN
8	0 ↔ 255	UV
9		MARCOS
	0 ↔ 10	NO FUNCTION
	11 ↔ 30	RED 100% / GREEN UP / BLUE 0%
	31 ↔ 50	RED DOWN / GREEN 100% / BLUE 0%
	51 ↔ 70	RED 0% / GREEN 100% / BLUE UP
	71 ↔ 90	RED 0% / GREEN DOWN / BLUE 100%
	91 ↔ 110	RED UP / GREEN 0% / BLUE 100%
	111 ↔ 130	RED 100% / GREEN 0% / BLUE DOWN
	131 ↔ 150	RED 100% / GREEN UP / BLUE UP
	151 ↔ 170	RED DOWN / GREEN DOWN / BLUE 100%
	171 ↔ 195	ALL LED AT FULL OUTPUT
	196 ↔ 200	2700K
	201 ↔ 205	3000K
	206 ↔ 210	3200K
	211 ↔ 215	3500K
	216 ↔ 220	4000K
	221 ↔ 225	4200K
	226 ↔ 230	4500K
	231 ↔ 235	5600K
	236 ↔ 240	6000K
241 ↔ 245	6500K	
246 ↔ 250	7200K	
251 ↔ 255	8000K	
10		SPECIAL STROBE
	0 ↔ 9	NO FUNCTION
	10 ↔ 50	STROBE FROM (SLOD TO FAST, 0-25Hz)
	51 ↔ 100	NO FUNCTION
	101 ↔ 150	LIGHTNING STROBE
	151 ↔ 200	NO FUNCTION
201 ↔ 255	RANDOM SROBE	

3.10 BALANCE PARAMETERS AND CORRECTION MENU DISPLAY

Press **[MENU]** button to enter the password confirmation, to enter the correct password < UP + DOWN + UP + DOWN > Key, press the **[MENU]** in, the correct password will enter show submenu



- Enter the **[CALIBRATION]** to select white color of different color temperature.
- There are 12 pre-programmed White colors can be edited by using **[RED]**, **[GREEN]**, **[BLUE]** & **[WHITE]**.

Note: if CCT data is changed in **[WHITE]** from WT.01 to WT.12, CCT of according channel will be changed also

- Enter the **[RGB to W]** to adjust the RGB parameter to make different whites.
- When the new setting is activated, the DMX controller choose RGB = 255,255,255 the white color will be made by the actual RGB values on the **[RGB to W]**.
- under **[UC]** menu, press **[ENTER]** for color correction
- Press **[ENTER]** and choose **[RED]**, **[GREEN]**, **[BLUE]**, **[WHITE]**, **[AMBER]**, **[CYAN]** and **[UV]** for correction.
- Press **[MENU]** and return to menu, and keep value automatically.

3.13 INFO



- Press **[ENTER]** and go to **[INFO]**, you can check **[VERSION]**.

3.12 WIRELESS



- Press **[ENTER]** and enter **[WIRELESS]**, choose **[NO]** means no reset, choose **[YES]** means reset

4 USING A DMX512 CONTROLLER

4.1 CHANNEL ASSIGNMENT

- Note: This product have four DMX512 channel configuration:
【HSIC】 , 【SSP】 , 【TOUR】 , 【TR16】 .

HSIC

CHANNEL	VALUE	FUNCTION
1	0 ↔ 255	INTENSIYT
2	0 ↔ 255	HUE
3	0 ↔ 255	HUE FINE
4	0 ↔ 255	SATURATION
5		CCT
	0 ↔ 10	NO FUNCTION
	11 ↔ 30	2700K
	31 ↔ 50	3000K
	51 ↔ 70	3200K
	71 ↔ 90	3500K
	91 ↔ 110	4000K
	111 ↔ 130	4200K
	131 ↔ 150	4500K
	151 ↔ 170	5600K
	171 ↔ 190	6000K
	191 ↔ 210	6500K
	211 ↔ 230	7200K
	231 ↔ 255	8000K
6		SPECIAL STROBE
	0 ↔ 9	NO FUNCTION
	10 ↔ 50	STROBE FROM (SLOD TO FAST , 0-25Hz)
	51 ↔ 100	NO FUNCTION
	101 ↔ 150	LIGHTNING STROBE
	151 ↔ 200	NO FUNCTION
201 ↔ 255	RANDOM SROBE	
7		DIMMER SPEED
	0 ↔ 9	NO FUNCTION
	10 ↔ 29	OFF
	30 ↔ 69	DIM1
	70 ↔ 129	DIM2
	130 ↔ 189	DIM3
190 ↔ 255	DIM4	

SSP

CHANNEL	VALUE	FUNCTION
1	0 ↔ 255	MASTER DIMMER
2	0 ↔ 255	RED
3	0 ↔ 255	GREEN
4	0 ↔ 255	BLUE
5	0 ↔ 255	WHITE
6	0 ↔ 255	AMBER
7	0 ↔ 255	CYAN
8	0 ↔ 255	UV
9		SPECIAL STROBE
	0 ↔ 9	NO FUNCTION
	10 ↔ 50	STROBE FROM (SLOD TO FAST , 0-25Hz)
	51 ↔ 100	NO FUNCTION
	101 ↔ 150	LIGHTNING STROBE
	151 ↔ 200	NO FUNCTION
201 ↔ 255	RANDOM SROBE	
10		DIMMER SPEED
	0 ↔ 9	NO FUNCTION
	10 ↔ 29	OFF
	30 ↔ 69	DIM1
	70 ↔ 129	DIM2
	130 ↔ 189	DIM3
190 ↔ 255	DIM4	