



## Description

Multi-chip LED projector with CW calibrated LEDs (@6500K).

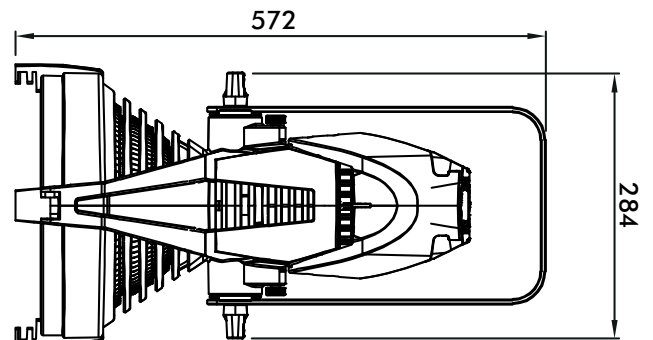
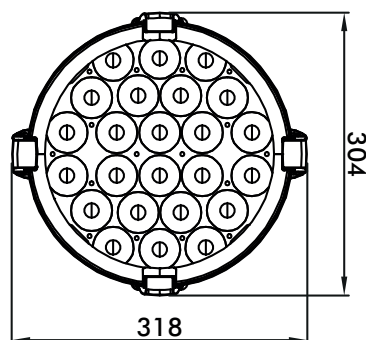
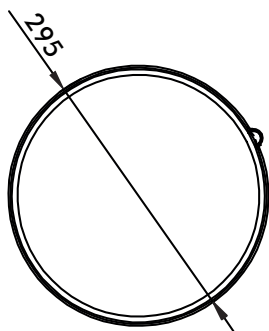
Especially designed for applications where powerful fixtures with high efficiency are requested. OXO sunflood 500 is the perfect solution for fair exhibitions & sport events.

## Features

- 14 x 20W CW LEDs (@ 6500 K)
- «Snap» Function allowing the fixture to save and record DMX values (of the fixture) from the lighting desk for shows without controller
- Aperture 12°
- IP20 Protection
- LCD display with 2 control buttons & 1 coder wheel
- DMX512, RDM
- DMX modes : 2 or 4 channels
- DMX XLR 5 (IN/OUT)
- PowerCON (IN/OUT)



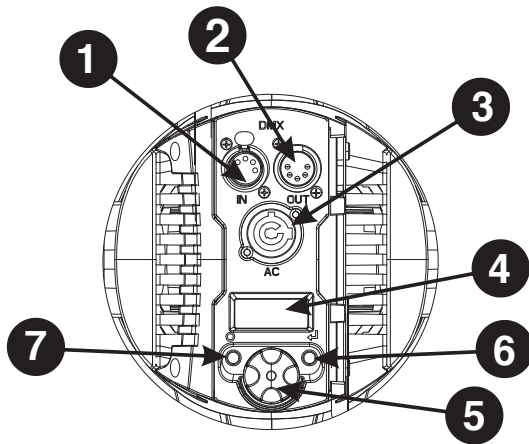
## Drawings



## Specifications

<b>Product type</b>	FLOODLIGHT
<b>Order code</b>	OSUNFLOOD500
<b>Colour spectrum</b>	Cold White @6500K
<b>Number of LEDs</b>	24
<b>LED type</b>	MULTICHIP 20W
<b>Beam angle</b>	12°
<b>Optional filters</b>	YES
<b>Zoom</b>	NO
<b>CCT control</b>	NO
<b>Luminous flux (lm)</b>	24000
<b>CRI</b>	>81
<b>DMX mode</b>	2
<b>DMX channels</b>	2/4
<b>Control</b>	DMX512, RDM
<b>Display</b>	LCD
<b>Operating consumption</b>	100-240 VAC, 47-63HZ
<b>Power consumption</b>	460W @max.
<b>DMX Connectors</b>	XLR5 IN/OUT
<b>Type</b>	Indoor
<b>Protection class</b>	IP20
<b>Power supply connector</b>	PowerCON PC16 IN/OUT
<b>Housing and colour</b>	Plastic, black
<b>Cooling</b>	Cooling fan
<b>Weight</b>	11,50KG
<b>Dimensions l x w x d (mm)</b>	304 x 572 x 318
<b>Warranty</b>	2 years

## Overview



- 1. DMX IN (XLR5)
- 2. DMX OUT (XLR5)
- 3. Power supply IN (PowerCON)
- 4. Digital display
- 5. Rotary knob
- 6. Back button
- 7. Validation button

## Accessories



Filter 10°x40°



Filter 16°



Filter 40°



Filter frame



4-Leaf Barndoor

## More about



## User manual & DMX Chart

