



## Description

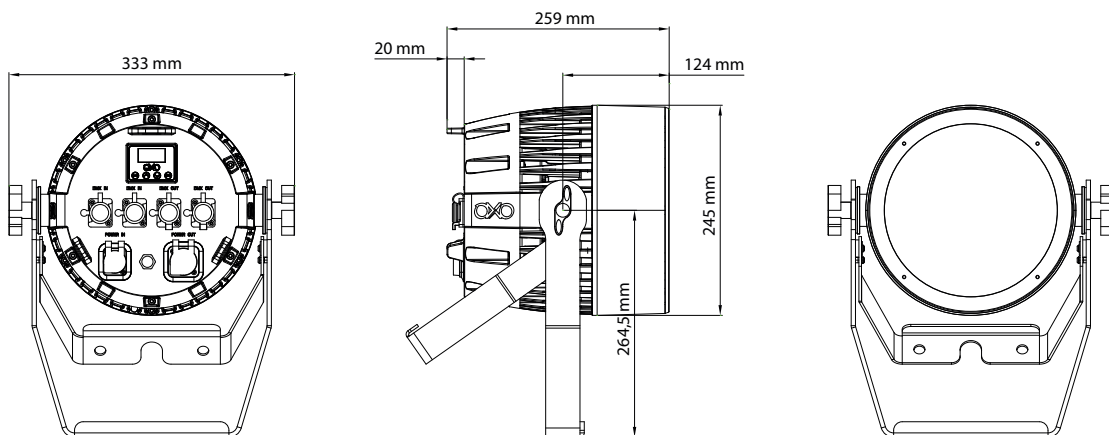
Robust and powerful RGBW COB Led fixture delivering up to 180W, Colorzoom 180 comes with a motorized zoom from 10° to 53° and IP65 protection.

## Features

- 180W COB
- RGBW
- Zoom 10° to 53°
- Up to 4 900 lumens
- White macros (2700K to 8000K)
- Color macros (LEE FILTER calibration)
- IP65 protection
- Die-cast aluminium
- OLED screen with 4-digit buttons
- DMX512, RDM, W-DMX (optional)
- DMX Modes : 6,9 or 14 channels
- DMX XLR3 & XLR5 (IN/OUT)
- PowerCON True1 (IN/OUT)



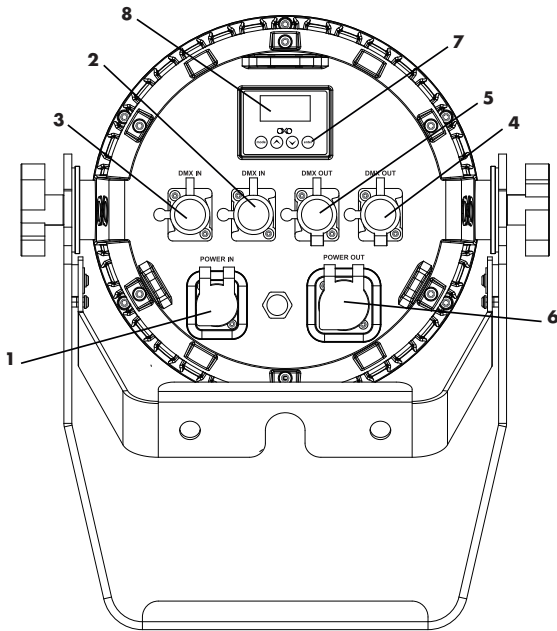
## Drawings



## Specifications

<b>Product type</b>	LED fixture
<b>Order code</b>	OCZOOM180
<b>Colour spectrum</b>	RGBW
<b>Number of LEDs</b>	1
<b>LED type</b>	COB 180W
<b>Beam angle</b>	10° to 53°
<b>Optional filters</b>	NO
<b>Zoom</b>	YES
<b>CCT control</b>	YES
<b>Luminous flux (lm)</b>	4900
<b>CRI</b>	NC
<b>DMX modes</b>	3
<b>DMX channels</b>	6/9/14
<b>Control</b>	DMX512-RDM-Manual
<b>Display</b>	OLED
<b>Operating consumption</b>	100-240 VAC, 50-60 HZ
<b>Power consumption</b>	220W @ max.
<b>DMX Connectors</b>	XLR3/5 IN/OUT
<b>Type</b>	Indoor & Outdoor
<b>Protection class</b>	IP65
<b>Power supply connector</b>	PowerCON TRUE1 IN/OUT
<b>Housing and colour</b>	Die cast aluminium, black
<b>Cooling</b>	Natural convection and cooling fan
<b>Weight</b>	10,00KG
<b>Dimensions l x w x d (mm)</b>	333 x 259 x 245
<b>Warranty</b>	2 years

**Overview**



- 1. Power supply IN (PowerCON TRUE1)
- 2. DMX IN (XLR3)
- 3. DMX IN (XLR3)
- 4. DMX OUT (XLR3)
- 5. DMX OUT (XLR3)
- 6. Power supply OUT (PowerCON TRUE1)
- 7. Touch button «Mode / Up / Down / Enter»
- 8. Display

**Accessories**



Snoot



Filter frame



Accessories holder



Barndoor



Flight-Case (x6 pcs)

**More about**



**User manual & DMX Chart**

