



Description

PixyLine 300 GFX is the upcoming generation of LEDs bar fixture.

Powered with 192 RGB LEDs x 1W & 360 white LEDs x 1W, for powerful and dynamic color effects.

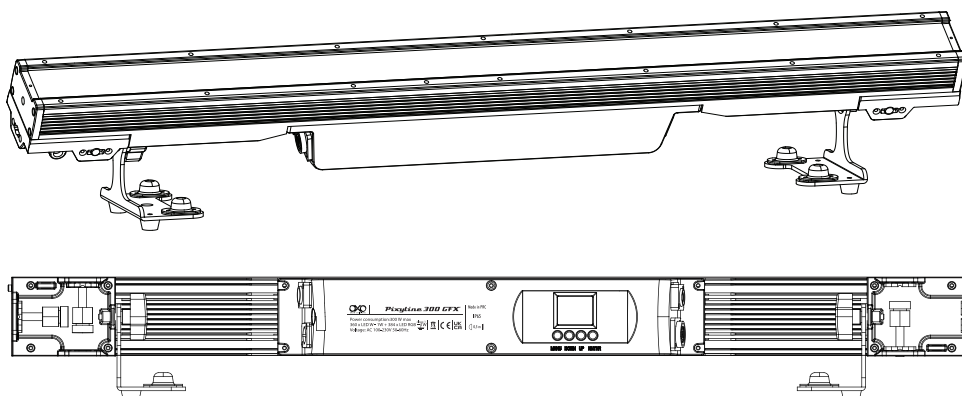
Designed with advanced electronic frost technology, this new generation of linear LEDs fixture enhance your stage.

Features

- Powerful & Professional IP65 LED Blinder
- 192 RGB LEDs x 1W & 360W white LEDs x 1W
- Beam aperture 90° (transparent) to 120° (frosted)
- DMX controllable electronic progressive frost
- Pix-to-pix function
- Preprogrammed effects and colors macros
- Toolless H/V pin connectors
- Side by side assembling
- DMX512, RDM
- DMX XLR5 (IN/OUT)
- PowerCON True1 (IN/OUT)



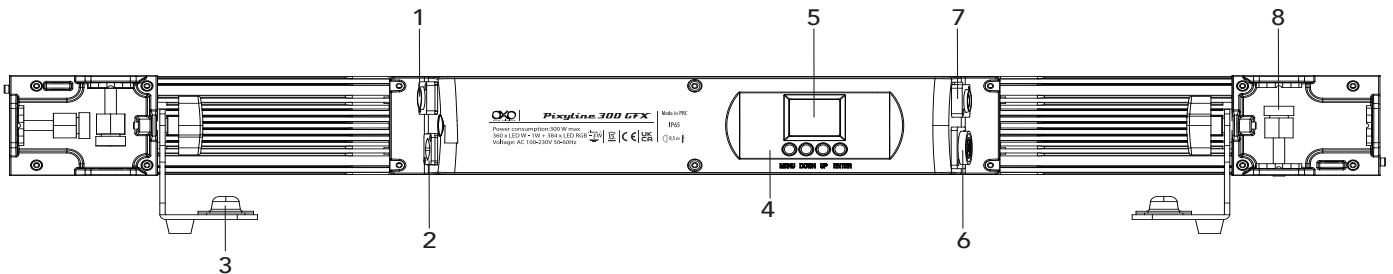
Drawings



Specifications

Product type	LINEAR LED FIXTURE, DYNAMICS EFFECTS, BLINDER
Order code	OPIXYLINE300GFX
Color spectrum	RGB + W
Number of LEDs	360 + 192
LED type	SMD 1W
Beam angle	90° to 120°
Optional filters	NO
Zoom	NO
CCT control	NO
Luminous flux (lm)	
CRI	>93
DMX channels	NC
Control	DMX512,RDM
Display	LCD
Operating voltage	100-240 VAC, 50-60 HZ
Power consumption	300W @max
DMX Connectors	XLR5 IN/OUT
Type	Indoor & Outdoor
Protection class	IP65
Power supply connector	PowerCON TRUE1 IN/OUT
Housing and colour	Aluminium, Black
Cooling	Natural convection
Weight	9,30KG
Dimensions l x w x d (mm)	1017 x 140 x 147
Warranty	2 years

Overview



1. Power supply IN (PowerCON TRUE1)

2. DMX IN (XLR5)

3. Omega Bracket

4. Touch button «Mode / Up / Down / Enter»

5. Display

6. Power supply OUT (PowerCON TRUE1)

7. DMX OUT (XLR5)

8. Tool less pin connectors

Accessories



Flight-case (x8 pcs)

More about



User manual & DMX Chart

