



Description

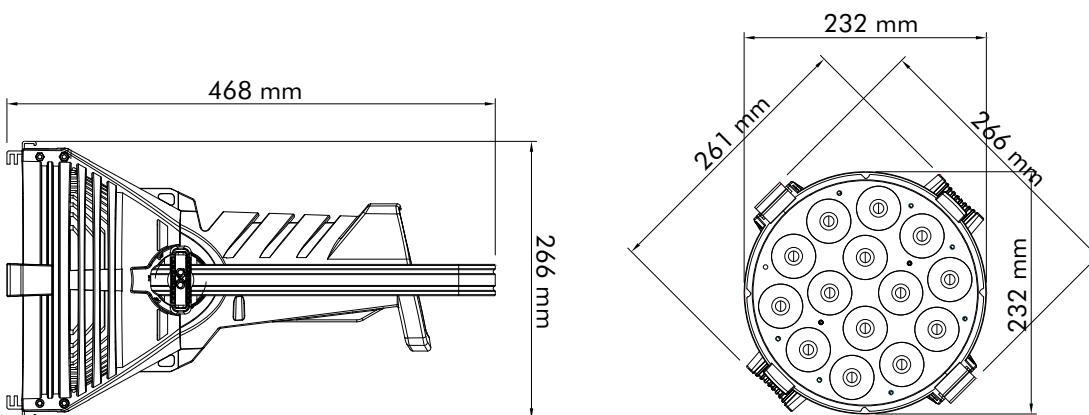
the smaller version of Sunflood 500. Equipped with 14 multi-chip LED with white calibration (@6500K). Especially designed for applications where fixtures with high efficiency and low power consumption are requested. OXO SUNFLOOD 300 is the perfect solution for medium size fair exhibitions & sport events.

Features

- 14 x 20W CW LEDs (@ 6500 K)
- «Snap» Function allowing the fixture to save and record DMX values (of the fixture) from the lighting desk for shows without controller
- Aperture 12°
- IP20 Protection
- LCD display with 4 control buttons.
- DMX512, RDM
- DMX modes : 2 or 4 channels
- DMX XLR 5 (IN/OUT)
- PowerCON (IN/OUT)



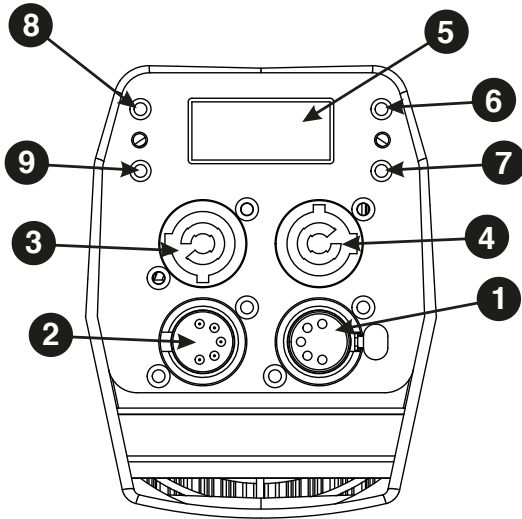
Drawings



Specifications

Product type	FLOODLIGHT
Order code	OSUNFLOOD300
Colour spectrum	Cold White @6500K
Number of LEDs	14
LED type	MULTICHIP 20W
Beam angle	12°
Optional filters	YES
Zoom	NO
CCT control	NO
Luminous flux (lm)	18000
CRI	>81
DMX mode	2
DMX channels	2/4
Control	DMX512, RDM
Display	LCD
Operating consumption	100-240 VAC, 47-63HZ
Power consumption	280W @max.
DMX Connectors	XLR5 IN/OUT
Type	Indoor
Protection class	IP20
Power supply connector	PowerCON PC16 IN/OUT
Housing and colour	Plastic, black
Cooling	Cooling fan
Weight	7,00KG
Dimensions l x w x d (mm)	232 x 468 x 266
Warranty	2 years

Overview



- 1. DMX IN (XLR5)
- 2. DMX OUT (XLR5)
- 3. Power supply IN (PowerCON)
- 4. Power supply OUT (PowerCON)
- 5. Digital Display
- 6. Validation button
- 7. Back button
- 8. Up button
- 9. Down button

Accessories



Filter 10°x40°



Filter 16°



Filter 40°



4-Leaf Barndoor

More about



User manual & DMX Chart

