



## Description

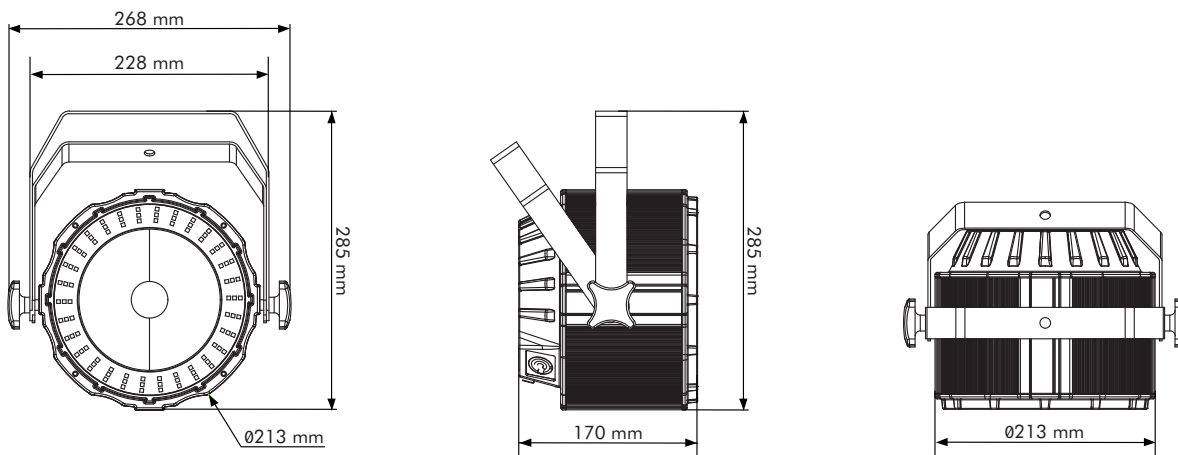
Powerful 150W RGB COB LED ambient light fixture, surrounded by 120 CW SMD LEDs (@6500K) for original effects

## Features

- 150W RGB COB
- 120 CW SMD LEDs (@ 6500K)
- Aperture : 40°
- Internal FX macros
- IP20
- LCD display with 4 control buttons
- Double yoke for hanging or ground use
- DMX512
- DMX modes : 7, 11 or 35 channels
- DMX XLR5 (IN/OUT)
- PowerCON (IN/OUT)
- Compact & Lightweight



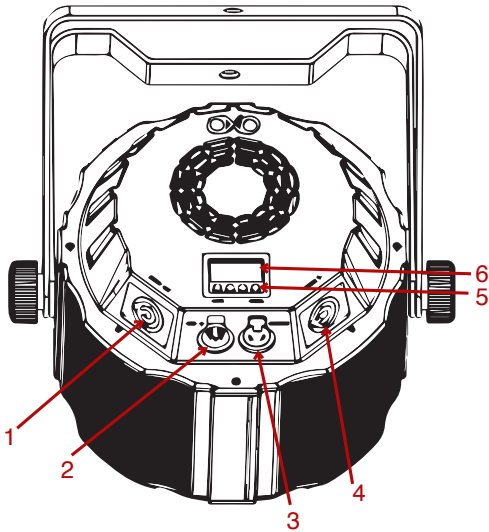
## Drawings



## Specifications

<b>Product type</b>	LED FIXTURE
<b>Order code</b>	OCBEAM150BFX
<b>Colour spectrum</b>	RGB+W (@6500K)
<b>Number of LEDs</b>	1 + 120
<b>LED type</b>	COB 150W & SMD
<b>Beam angle</b>	40°
<b>Optional filters</b>	NO
<b>Zoom</b>	NO
<b>CCT control</b>	NO
<b>Luminous flux (lm)</b>	
<b>CRI</b>	
<b>DMX mode</b>	3
<b>DMX channels</b>	7/11/35
<b>Control</b>	DMX 512, RDM
<b>Display</b>	LCD
<b>Operating consumption</b>	100-240VAC, 50-60HZ
<b>Power consumption</b>	210W @max.
<b>DMX Connectors</b>	XLR5
<b>Type</b>	Indoor
<b>Protection class</b>	IP20
<b>Power supply connector</b>	PowerCON PC16 IN/OUT
<b>Housing and colour</b>	Plastic, Black
<b>Cooling</b>	Cooling fan
<b>Weight</b>	2,35KG
<b>Dimensions l x w x d (mm)</b>	170 x 265 x 210
<b>Warranty</b>	2 years

## Overview



1. Power supply IN (PowerCON)

2. DMX IN (XLR5)

3. DMX OUT (XLR5)

4. Power supply OUT (PowerCON)

5. Touch button «Mode / Up / Down / Enter»

6. Display

## Accessoires



## More about



## User manual & DMX Chart

