



Description

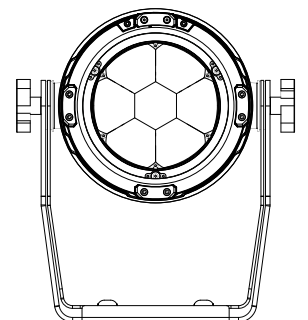
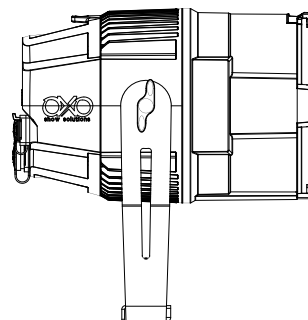
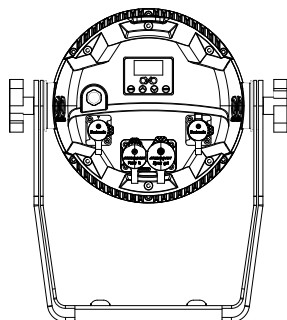
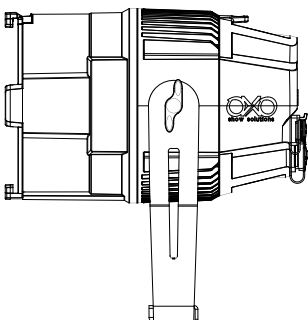
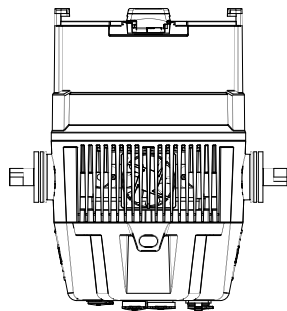
IP65, multichip LEDs fixture equipped with 7 RGLB LEDs of 60W and a large zoom range.

Features

- 7 x 60W
- RGB + L LED engine
- Zoom range 5° to 60°
- IP65
- White macros calibration (2200K to 10 000K with Greenshift)
- Color macros (LEE FILTER calibration)
- CRI < 86
- Light output : 6 000 lumens
- OLED display with 4-digit buttons
- DMX512, RDM, W-DMX (LumenRadio)
- DMX XLR5 (IN/OUT)
- PowerCON True1 (IN/OUT)



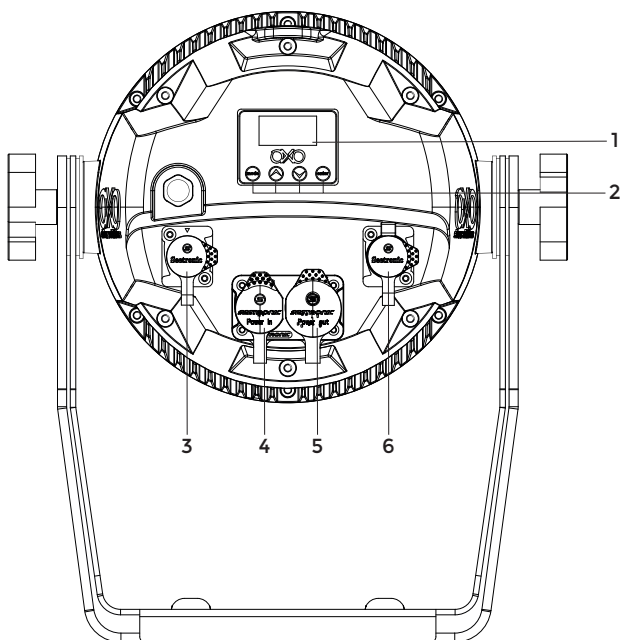
Drawings



Specifications

Product type	LED FIXTURE
Order code	OCZOOM420
Colour spectrum	RGBL
Number of LEDs	7
LED type	Multichip 60W
Beam angle	5° to 60°
Optional filters	NO
Zoom	YES
CCT control	YES
Luminous flux (lm)	6000
CRI	>86
DMX mode	5
DMX channels	4/12/13/15/17
Control	DMX512, W-DMX, LumenRadio
Display	OLED
Power consumption	320 W @max
DMX Connectors	XLR5 IN/OUT
Type	Indoor & Outdoor
Protection class	IP65
Housing and colour	Die cast aluminium, black
Cooling	Natural convection and cooling fan
Weight	8,20KG
Dimensions l x w x d (mm)	333 x 253 x 245
Warranty	2 years

Overview



1. Display

2. Touch button «Mode / Up / Down / Enter»

3. DMX IN (XLR5)

4. Power supply IN (PowerCON TRUE1)

5. Power supply OUT (PowerCON TRUE1)

6. DMX OUT (XLR5)

More about



User manual & DMX Chart

